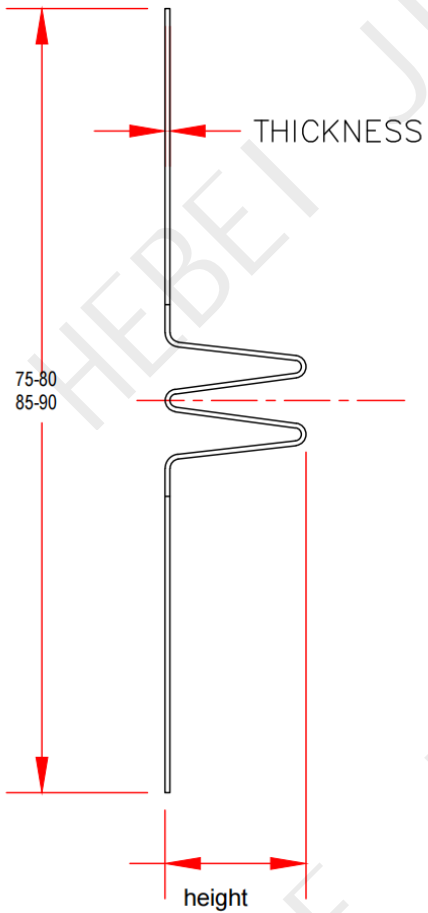
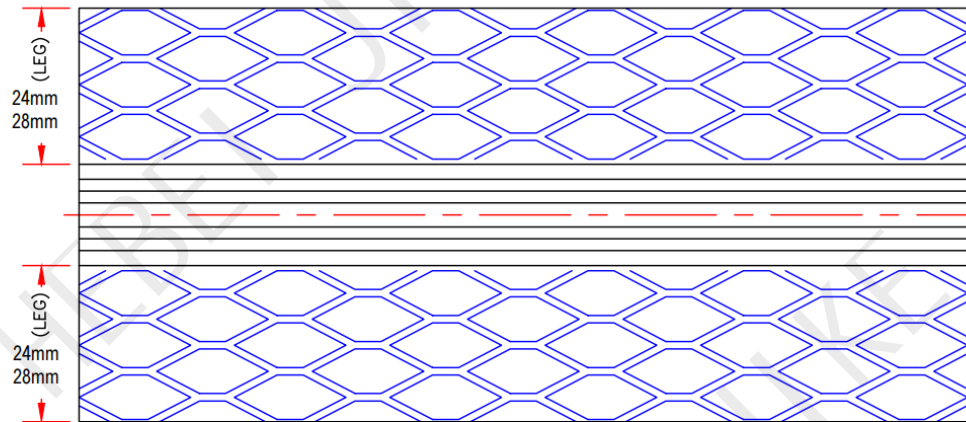
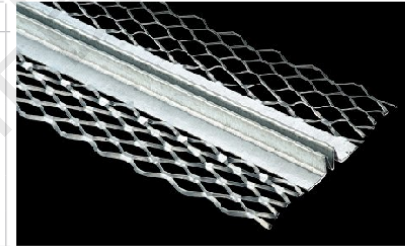


Double V expansion Joint



Material	Height	Thickness	length	pcs/Carton
Galvanized	13mm	0.35-0.45 mm	2m	50
Stainless Steel	16mm		2.5m	
	19mm		3m	



HEBEI JIKE TRADE CO.,LTD
 ADD:BAONENG CENTER,SHIJIAZHUANG,HEBEI,CHINA 050800
 TEL/WECHAT/WHATSAPP:+86-15831931141 +86-19930751141
 Email: janeliu@qualitywiremesh.com
 Web: www.qualitywiremesh.com