



HEBEI JIKE TRADE CO.,LTD
ZHONGKE INDUSTRIAL PRODUCTS CO.,LTD
ADD:BAONENG CENTER,SHIJIAZHUANG,HEBEI,CHINA 050800
TEL/WECHAT/WHATSAPP:+86-15831931141 +86-19930751141
Email: janeliu@qualitywiremesh.com Web: www.qualitywiremesh.com

Standard Expanded Metal – Anti-Skid, Rigid & Cost-Effective

Standard expanded metal, also known as raised expanded metal, is produced by simultaneously slitting and stretching metal sheets or coils. It features a surface of raised diamond-shaped openings. In addition, raised strands form an angle to the original plane of the solid sheet, adding additional strength and rigidity. It also delivers great anti-skid performance. As a result, it has virtually endless applications including road fences, platforms and stair treads, machine guarding, etc.

We can supply a large assortment of standard expanded metal products made of high quality materials including carbon steel, galvanized steel and aluminum, to ensure the best performance and durability of the products. Besides, we can work with you to develop custom expanded metal solutions to fit your specific application through deep communication.

Features

- Uniform mesh opening allows light, heat and air to flow freely.
- It has a lighter weight and a more rigid structure compared with the material of the same size.
- Three-dimensional structure offers great anti-skid performance.
- One-piece construction expanded metal material, no welding joint and the edge is not easy to loose.
- In the production process, no material is wasted, economical and environmental-friendly, saving raw materials.



HEBEI JIKE TRADE CO.,LTD
 ZHONGKE INDUSTRIAL PRODUCTS CO.,LTD
 ADD:BAONENG CENTER,SHIJIAZHUANG,HEBEI,CHINA 050800
 TEL/WECHAT/WHATSAPP:+86-15831931141 +86-19930751141
 Email: janeliu@qualitywiremesh.com Web: www.qualitywiremesh.com

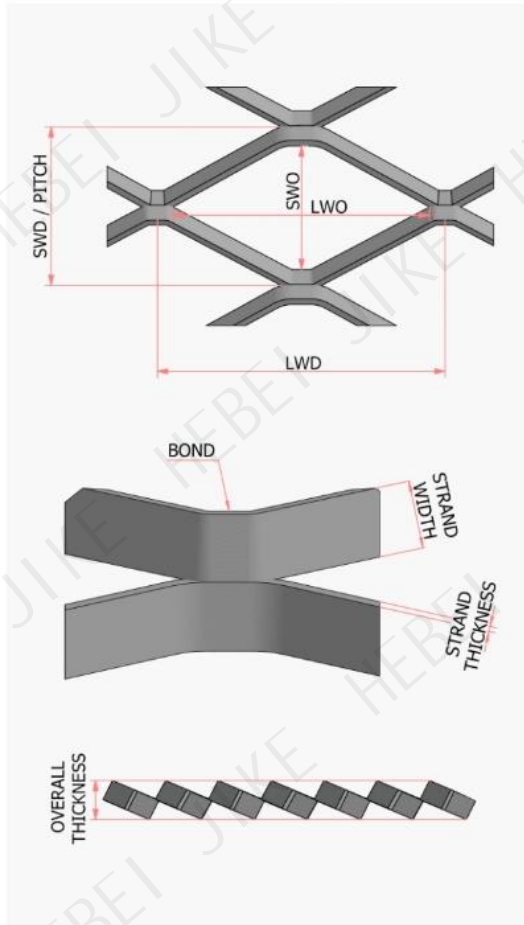


Table 1: Specifications of Carbon Steel Standard Expanded Metal

Style	Minimum Thickness (inches) ^A	Nominal Weight in lbs./100 Sq. Ft. ^B	Design Size (inches) ^C		Opening Size (inches) ^C		Strand Size (inches)		Overall Thickness (inches)	Open Area
			SWD	LWD	SWO	LWO	Width	Thickness		
¼" - #20	0.032	85	0.250	1.00	0.157	0.718	0.072	0.036	0.146	42%
¼" - #18	0.042	113	0.250	1.00	0.146	0.718	0.072	0.048	0.151	42%
½" - #20	0.032	42	0.500	1.20	0.407	0.938	0.072	0.036	0.146	71%
½" - #18	0.042	69	0.500	1.20	0.382	0.938	0.088	0.048	0.180	65%
½" - #16	0.053	85	0.500	1.20	0.372	0.938	0.087	0.060	0.183	65%
½" - #13	0.083	141	0.500	1.20	0.337	0.938	0.096	0.090	0.212	62%
¾" - #16	0.053	54	0.923	2.00	0.783	1.750	0.101	0.060	0.208	78%
¾" - #13	0.083	77	0.923	2.00	0.760	1.688	0.096	0.090	0.212	79%
¾" - #10	0.083	117	0.923	2.00	0.718	1.625	0.144	0.092	0.300	69%
¾" - #9	0.127	178	0.923	2.00	0.675	1.562	0.150	0.134	0.329	67%
1" - #16	0.053	43	1.00	2.40	0.872	2.062	0.087	0.060	0.183	83%
1½" - #18	0.042	20	1.33	3.00	1.229	2.625	0.068	0.048	0.144	90%
1½" - #16	0.053	40	1.33	3.00	1.184	2.625	0.108	0.060	0.221	84%
1½" - #13	0.083	58	1.33	3.00	1.160	2.500	0.105	0.090	0.228	84%
1½" - #10	0.083	76	1.33	3.00	1.132	2.500	0.138	0.090	0.288	79%
1½" - #9	0.127	119	1.33	3.00	1.087	2.375	0.144	0.134	0.318	78%
1½" - #6	0.184	247	1.33	3.00	0.979	2.313	0.203	0.198	0.452	69%
2" - #10	0.083	65	1.85	4.00	1.630	3.438	0.164	0.090	0.335	82%
2" - #9	0.127	88	1.85	4.00	1.603	3.375	0.149	0.134	0.327	84%

^A The minimum thickness is absolute, not subject to minus variation.

^B A variation in weight per square ft. of ±10 % is permissible, based on the weight of any sheet or bundle.

^C A tolerance of ±10 % is permitted in dimensions, center to center.



HEBEI JIKE TRADE CO.,LTD
 ZHONGKE INDUSTRIAL PRODUCTS CO.,LTD
 ADD:BAONENG CENTER,SHIJIAZHUANG,HEBEI,CHINA 050800
 TEL/WECHAT/WHATSAPP:+86-15831931141 +86-19930751141
 Email: janeliu@qualitywiremesh.com Web: www.qualitywiremesh.com

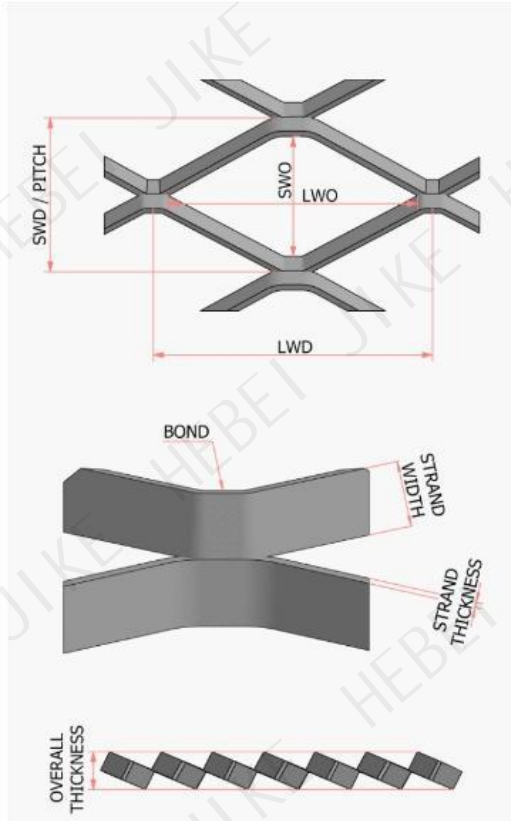


Table 2: Specifications of Stainless Steel Standard Expanded Metal

Style	Minimum Thickness (inches) ^A	Nominal Weight in lbs./100 Sq. Ft. ^B	Design Size (inches) ^C		Opening Size (inches) ^C		Strand Size (inches)		Overall Thickness (inches)	Open Area
			SWD	LWD	SWO	LWO	Width	Thickness		
½" - #18	0.044	69	0.500	1.20	0.383	0.937	0.087	0.048	0.178	65%
½" - #16	0.055	87	0.500	1.20	0.372	0.937	0.087	0.060	0.183	65%
½" - #13	0.085	143	0.500	1.20	0.418	0.876	0.096	0.090	0.254	62%
¾" - #18	0.044	46	0.923	2.00	0.790	1.750	0.106	0.048	0.212	77%
¾" - #16	0.055	57	0.923	2.00	0.779	1.760	0.106	0.060	0.217	77%
¾" - #13	0.085	87	0.923	2.00	0.751	1.687	0.107	0.090	0.232	77%
¾" - #9	0.128	194	0.923	2.00	0.666	1.562	0.160	0.135	0.347	65%
1½" - #16	0.055	43	1.33	3.00	1.179	2.750	0.115	0.060	0.234	83%
1½" - #13	0.085	65	1.33	3.00	1.152	2.625	0.115	0.090	0.246	83%
1½" - #9	0.128	130	1.33	3.00	1.077	2.500	0.155	0.135	0.338	77%

^A The minimum thickness is absolute, not subject to minus variation.

^B A variation in weight per square ft. of ±10% is permissible, based on the weight of any sheet or bundle.

^C A tolerance of ±10% is permitted in dimensions, center to center.



HEBEI JIKE TRADE CO.,LTD
 ZHONGKE INDUSTRIAL PRODUCTS CO.,LTD
 ADD:BAONENG CENTER,SHIJIAZHUANG,HEBEI,CHINA 050800
 TEL/WECHAT/WHATSAPP:+86-15831931141 +86-19930751141
 Email: janeliu@qualitywiremesh.com Web: www.qualitywiremesh.com

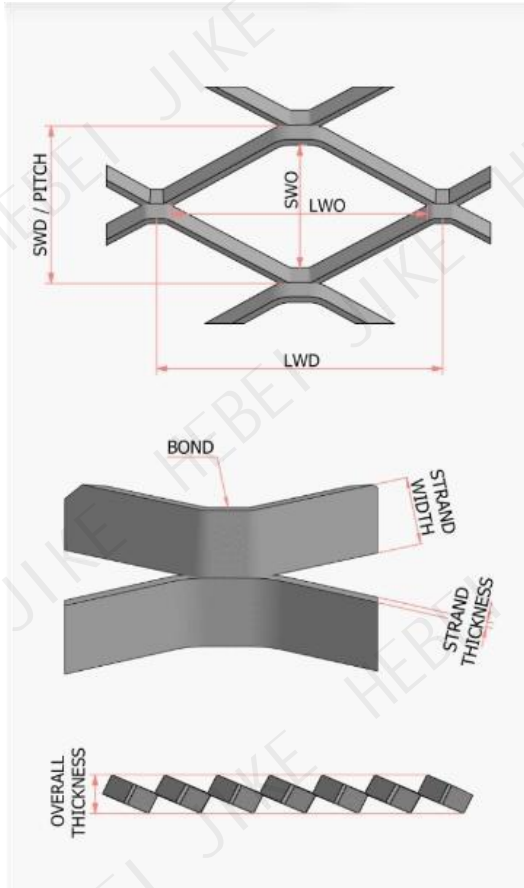


Table 3: Specifications of Aluminum Standard Expanded Metal

Style	Minimum Thickness (inches) ^A	Nominal Weight in lbs./100 Sq. Ft. ^B	Design Size (inches) ^C		Opening Size (inches) ^C		Strand Size (inches)		Overall Thickness (inches)	Open Area
			SWD	LWD	SWO	LWO	Width	Thickness		
½"-.050	0.045	26	0.500	1.20	0.376	0.937	0.093	0.050	0.190	63%
½"-.080	0.074	43	0.500	1.20	0.346	0.937	0.096	0.080	0.208	62%
¾"-.050	0.045	17	0.923	2.00	0.786	1.750	0.109	0.050	0.219	76%
¾"-.080 (Lt)	0.074	31	0.923	2.00	0.741	1.680	0.129	0.080	0.268	72%
¾"-.080 (HVY)	0.074	40	0.923	2.00	0.711	1.680	0.165	0.080	0.333	64%
¾"-.125	0.118	64	0.923	2.00	0.667	1.680	0.169	0.125	0.359	63%
1½"-.080	0.074	22	1.33	3.00	1.149	2.500	0.128	0.080	0.266	81%
1½"-.125	0.118	43	1.33	3.00	1.080	2.500	0.162	0.125	0.346	76%

^A The minimum thickness is absolute, not subject to minus variation.
^B A variation in weight per square ft. of ±10% is permissible, based on the weight of any sheet or bundle.
^C A tolerance of ±10% is permitted in dimensions, center to center.



HEBEI JIKE TRADE CO.,LTD
ZHONGKE INDUSTRIAL PRODUCTS CO.,LTD
ADD:BAONENG CENTER,SHIJIAZHUANG,HEBEI,CHINA 050800
TEL/WECHAT/WHATSAPP:+86-15831931141 +86-19930751141
Email: janeliu@qualitywiremesh.com Web: www.qualitywiremesh.com

Flattened Expanded Metal – Lightweight & Smooth Surface

Flattened expanded metal is what results when [standard expanded metal](#) is put through a cold rolling steel mill to flatten the expanded metal out. During the rolling process, the expanded metal becomes thinner and longer. As a result, flattened expanded metal is flatter and lighter. In actual applications, flattened expanded metal is mostly used in applications requiring lightweight, flexible expanded metal that offers certain strength and durability, such as shelves, window guards, greenhouse benches and dry safety walls.

Our flattened expanded metal products come in a variety of high quality metal materials, hole patterns and mesh openings to ensure they are perfectly suited to different industrial applications.

Features

- Flat, smooth surface, avoid scratch injuries.
- Lightweight, high strength and rigidity.
- Economical, durable, wide range of application.
- Easy to install and maintain.



HEBEI JIKE TRADE CO.,LTD
 ZHONGKE INDUSTRIAL PRODUCTS CO.,LTD
 ADD:BAONENG CENTER,SHIJIAZHUANG,HEBEI,CHINA 050800
 TEL/WECHAT/WHATSAPP:+86-15831931141 +86-19930751141
 Email: janeliu@qualitywiremesh.com Web: www.qualitywiremesh.com

Specification

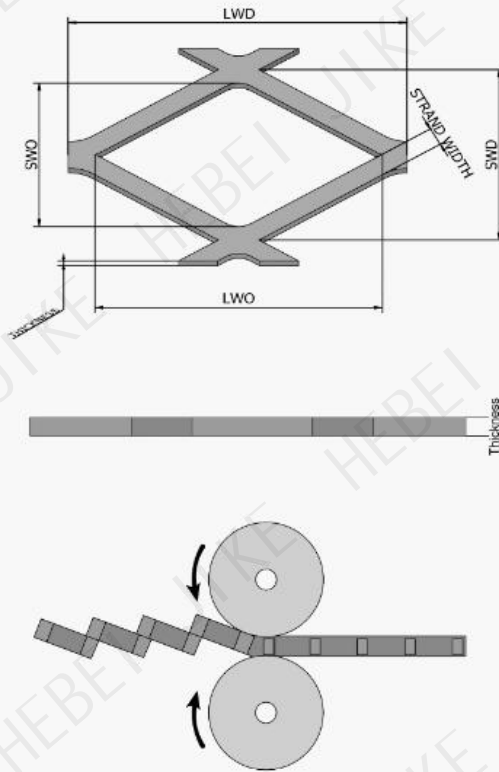


Table 1: Specifications of Carbon Steel Flattened Expanded Metal

Style	Minimum Thickness (inches) ^A	Nominal Weight in lbs./100 Sq. Ft. ^B	Design Size (inches) ^C		Opening Size (inches) ^C		Strand Size (inches)		Overall Thickness (inches)	Open Area
			SWD	LWD	SWO	LWO	Width	Thickness		
¼" - #20	0.026	74	0.250	1.05	0.092	0.715	0.079	0.029	0.029	37%
¼" - #18	0.034	100	0.250	1.05	0.090	0.715	0.080	0.038	0.038	36%
½" - #20	0.026	37	0.500	1.26	0.342	1.000	0.079	0.029	0.029	68%
½" - #18	0.034	61	0.500	1.26	0.306	1.000	0.097	0.038	0.038	61%
½" - #16	0.043	77	0.500	1.26	0.304	1.000	0.098	0.048	0.048	61%
½" - #13	0.066	126	0.500	1.26	0.286	1.000	0.107	0.072	0.072	57%
¾" - #16	0.043	47	0.923	2.10	0.701	1.750	0.111	0.048	0.048	76%
¾" - #14	0.054	56	0.923	2.10	0.713	1.760	0.105	0.060	0.060	77%
¾" - #13	0.066	67	0.923	2.10	0.711	1.781	0.106	0.072	0.072	67%
¾" - #10	0.066	102	0.923	2.10	0.603	1.755	0.160	0.072	0.072	65%
¾" - #9	0.101	157	0.923	2.10	0.593	1.688	0.165	0.108	0.108	64%
1" - #16	0.043	38	1.000	2.52	0.804	2.250	0.098	0.048	0.048	80%
1½" - #16	0.043	35	1.330	3.15	1.092	2.750	0.119	0.048	0.048	82%
1½" - #14	0.054	43	1.330	3.15	1.098	2.750	0.116	0.060	0.060	83%
1½" - #13	0.066	51	1.330	3.15	1.098	2.750	0.116	0.072	0.072	83%
1½" - #9	0.101	105	1.330	3.15	1.014	2.563	0.158	0.108	0.108	76%

^A The minimum thickness is absolute, not subject to minus variation.

^B A variation in weight per square ft. of $\pm 10\%$ is permissible, based on the weight of any sheet or bundle.

^C A tolerance of $\pm 10\%$ is permitted in dimensions, center to center.



HEBEI JIKE TRADE CO.,LTD
 ZHONGKE INDUSTRIAL PRODUCTS CO.,LTD
 ADD:BAONENG CENTER,SHIJIAZHUANG,HEBEI,CHINA 050800
 TEL/WECHAT/WHATSAPP:+86-15831931141 +86-19930751141
 Email: janeliu@qualitywiremesh.com Web: www.qualitywiremesh.com

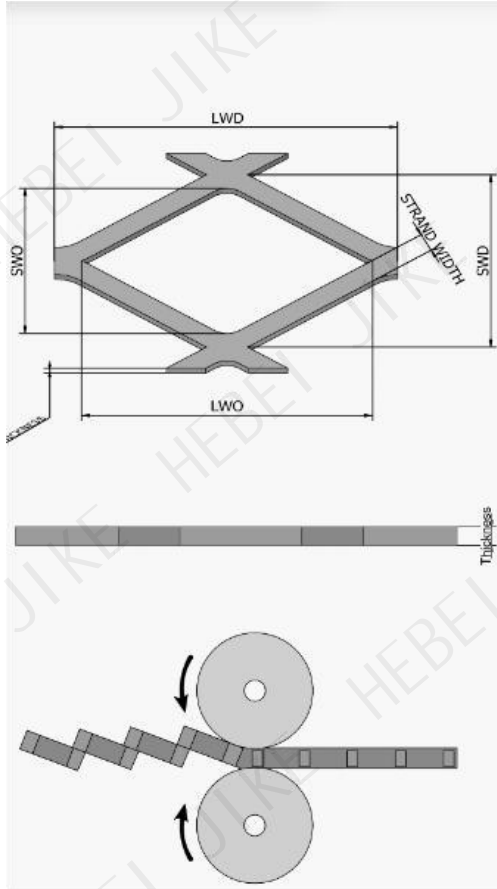


Table 2: Specifications of Stainless Steel Flattened Expanded Metal

Style	Minimum Thickness (inches) ^A	Nominal Weight in lbs./100 Sq. Ft. ^B	Design Size (inches) ^C		Opening Size (inches) ^C		Strand Size (inches)		Overall Thickness (inches)	Open Area
			SWD	LWD	SWO	LWO	Width	Thickness		
½" - #18	0.037	66	0.500	1.26	0.304	1.000	0.098	0.041	0.041	61%
½" - #16	0.047	84	0.500	1.26	0.302	1.000	0.099	0.051	0.051	60%
½" - #13	0.072	136	0.500	1.26	0.236	0.915	0.107	0.076	0.076	57%
¾" - #18	0.037	43	0.923	2.10	0.687	1.812	0.118	0.041	0.041	74%
¾" - #16	0.047	54	0.923	2.10	0.687	1.812	0.118	0.051	0.051	74%
¾" - #13	0.072	83	0.923	2.10	0.683	1.750	0.120	0.076	0.076	74%
¾" - #9	0.108	185	0.923	2.10	0.593	1.687	0.179	0.114	0.114	61%
1½" - #16	0.047	41	1.33	3.15	1.074	2.750	0.128	0.051	0.051	81%
1½" - #13	0.072	62	1.33	3.15	1.070	2.625	0.130	0.076	0.076	80%
1½" - #9	0.108	124	1.33	3.15	0.960	2.625	0.174	0.114	0.114	74%

^A The minimum thickness is absolute, not subject to minus variation.

^B A variation in weight per square ft. of ±10 % is permissible, based on the weight of any sheet or bundle.

^C A tolerance of ±10% is permitted in dimensions, center to center.



HEBEI JIKE TRADE CO.,LTD
 ZHONGKE INDUSTRIAL PRODUCTS CO.,LTD
 ADD:BAONENG CENTER,SHIJIAZHUANG,HEBEI,CHINA 050800
 TEL/WECHAT/WHATSAPP:+86-15831931141 +86-19930751141
 Email: janeliu@qualitywiremesh.com Web: www.qualitywiremesh.com

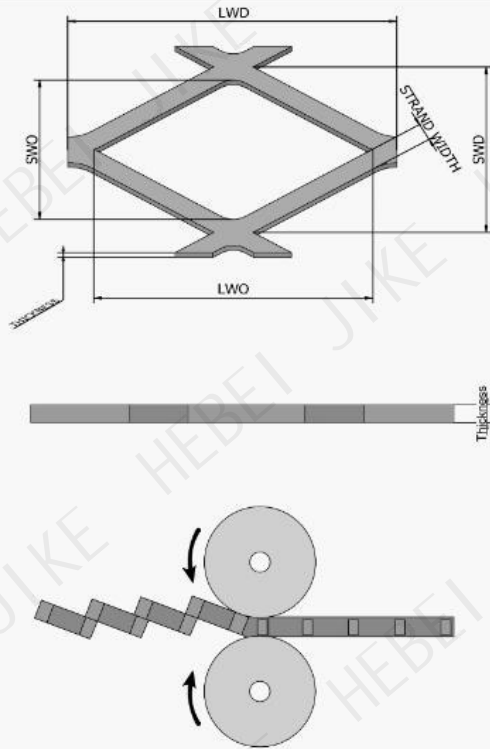


Table 3: Specifications of Aluminum Flattened Expanded Metal

Style	Minimum Thickness (inches) ^A	Nominal Weight in lbs./100 Sq. Ft. ^B	Design Size (inches) ^C		Opening Size (inches) ^C		Strand Size (inches)		Overall Thickness (inches)	Open Area
			SWD	LWD	SWO	LWO	Width	Thickness		
½"-.050	0.034	22	0.500	1.26	0.292	1.000	0.104	0.038	0.038	58%
½"-.080	0.056	55	0.500	1.26	0.290	1.000	0.105	0.060	0.060	58%
¾"-.050	0.034	14	0.923	2.10	0.679	1.812	0.122	0.038	0.038	74%
¾"-.080 (Lt)	0.056	26	0.923	2.10	0.637	1.750	0.143	0.060	0.060	69%
¾"-.080 (HVY)	0.056	33	0.923	2.10	0.561	1.750	0.181	0.060	0.060	61%
¾"-.125	0.089	53	0.923	2.10	0.549	1.750	0.187	0.094	0.094	59%
1½"-.080	0.056	18	1.33	3.15	1.044	2.750	0.143	0.060	0.060	78%
1½"-.125	0.089	36	1.33	3.15	0.968	2.750	0.181	0.094	0.094	73%

^A The minimum thickness is absolute, not subject to minus variation.
^B A variation in weight per square ft. of ±10 % is permissible, based on the weight of any sheet or bundle.
^C A tolerance of ±10 % is permitted in dimensions, center to center.



HEBEI JIKE TRADE CO.,LTD
ZHONGKE INDUSTRIAL PRODUCTS CO.,LTD
ADD:BAONENG CENTER,SHIJIAZHUANG,HEBEI,CHINA 050800
TEL/WECHAT/WHATSAPP:+86-15831931141 +86-19930751141
Email: janeliu@qualitywiremesh.com Web: www.qualitywiremesh.com

Expanded Metal Grating Offers Safe Passage Solutions for Industrial Environments

Expanded metal grating is heavy-duty expanded metal produced by slitting and stretching thick steel plate (thickness ≥ 3 mm). Compared with **standard expanded metal**, expanded metal grating has a larger opening and a thicker strand, delivering good anti-skid performance and high load capacity. So, it is perfectly suitable for applications requiring high load capacity or high walk safety requirements, such as industrial platforms, stair treads, walkways and trailers.

Our expanded metal grating products come in a variety of sturdy and durable materials including carbon steel, galvanized steel, stainless steel, etc., to ensure it can maintain its best anti-skid performance and load capacity even working under the harshest environments.

Features

- 3-dimensional structure offers good anti-skid performance.
- High open area displaces snow, mud, and dirt underfoot easily and helps to keep walkways clean and provide a firm foothold.
- High strength-to-weight ratio delivers great load capacity and ensures safe passage.
- Sturdy and durable, low maintenance costs.



HEBEI JIKE TRADE CO.,LTD
 ZHONGKE INDUSTRIAL PRODUCTS CO.,LTD
 ADD:BAONENG CENTER,SHIJIAZHUANG,HEBEI,CHINA 050800
 TEL/WECHAT/WHATSAPP:+86-15831931141 +86-19930751141
 Email: janeliu@qualitywiremesh.com Web: www.qualitywiremesh.com

Specification

Table 1: Specifications of Carbon Steel Expanded Metal Grating

Style	Nominal Weight in lbs.Per Sq.Ft. ^A	Design Size (inches) ^B		Opening Size (inches) ^C		Strand Size (inches)		Overall Thickness (inches)	Open Area
		SWD	LWD	SWO	LWO	Width	Thickness		
2.0 lb.	2.00	1.33	5.33	1.000	3.60	0.235	0.135	0.460	77%
3.0 lb.	3.00	1.33	5.33	0.940	3.44	0.264	0.183	0.540	60%
3.14 lb	3.14	2.00	6.00	1.625	4.88	0.312	0.250	0.656	69%
4.0 lb	4.00	1.33	5.33	0.940	3.44	0.300	0.215	0.618	55%
4.27 lb	4.27	1.41	4.00	1.000	2.88	0.300	0.250	0.625	58%
5.0 lb	5.00	1.33	5.33	0.813	3.38	0.331	0.250	0.655	50%
6.25 lb	6.25	1.41	5.33	0.813	3.38	0.350	0.312	0.715	50%
7.0 lb	7.00	1.41	5.33	0.813	3.38	0.391	0.318	0.740	45%

^A A variation in weight per square ft. of $\pm 5\%$ is permissible, based on the weight of any sheet or bundle.

^B A tolerance of $\pm 5\%$ is permitted in dimensions, center to center.

Table 2: Specifications of Stainless Steel Expanded Metal Grating

Style	Nominal Weight in lbs.Per Sq.Ft. ^A	Design Size (inches) ^B		Opening Size (inches) ^C		Strand Size (inches)		Overall Thickness (inches)	Open Area
		SWD	LWD	SWO	LWO	Width	Thickness		
3.3 lb.	3.32	2.00	6.0	1.625	4.88	0.312	0.250	0.656	69%
4.5 lb.	4.25	1.41	4.0	1.000	2.88	0.300	0.250	0.625	58%

^A A variation in weight per square ft. of $\pm 5\%$ is permissible, based on the weight of any sheet or bundle.

^B A tolerance of $\pm 5\%$ is permitted in dimensions, center to center.



HEBEI JIKE TRADE CO.,LTD
 ZHONGKE INDUSTRIAL PRODUCTS CO.,LTD
 ADD:BAONENG CENTER,SHIJIAZHUANG,HEBEI,CHINA 050800
 TEL/WECHAT/WHATSAPP:+86-15831931141 +86-19930751141
 Email: janeliu@qualitywiremesh.com Web: www.qualitywiremesh.com

Table 3: Specifications of Aluminum Expanded Metal Grating

Style	Nominal Weight in lbs.Per Sq.Ft. ^A	Design Size (inches) ^B		Opening Size (inches) ^C		Strand Size (inches)		Overall Thickness (inches)	Open Area
		SWD	LWD	SWO	LWO	Width	Thickness		
2.0 lb.	2.0	1.33	5.33	0.940	3.44	0.387	0.250	0.730	48%

^A A variation in weight per square ft. of $\pm 5\%$ is permissible, based on the weight of any sheet or bundle.
^B A tolerance of $\pm 5\%$ is permitted in dimensions, center to center.

Table 4: Carbon Steel – Concentrated Load Deflection Tables for a Fixed-Fixed Span

Style(lbs. per sq. ft)	-	24-Inch Span	36-Inch Span
3.0#	Concentrated Load Capacity (lb./ft.)	274	126
	Deflection Under Allowed Concentrated Load (in.)	0.25	0.25
3.14#	Concentrated Load Capacity (lb./ft.)	340	117
	Deflection Under Allowed Concentrated Load (in.)	0.25	0.25
4.0#	Concentrated Load Capacity (lb./ft.)	468	201
	Deflection Under Allowed Concentrated Load (in.)	0.25	0.25
4.27#	Concentrated Load Capacity (lb./ft.)	419	196
	Deflection Under Allowed Concentrated Load (in.)	0.25	0.25

The test specimens on which this table is measured were welded at alternate strands to an angle fixture. Testing shows that if the ends are not so welded, the capacity of the grating is drastically reduced.

Table 5 Aluminum – Concentrated Load Deflection Tables for a Fixed-Fixed Span

Style(lbs. per sq. ft)	-	24-Inch Span	36-Inch Span
2.0#	Concentrated Load Capacity (lb./ft.)	320	136
	Deflection Under Allowed Concentrated Load (in.)	0.25	0.25

The test specimens on which this table is measured were welded at alternate strands to an angle fixture. Testing shows that if the ends are not so welded, the capacity of the grating is drastically reduced.



HEBEI JIKE TRADE CO.,LTD
ZHONGKE INDUSTRIAL PRODUCTS CO.,LTD
ADD:BAONENG CENTER,SHIJIAZHUANG,HEBEI,CHINA 050800
TEL/WECHAT/WHATSAPP:+86-15831931141 +86-19930751141
Email: janeliu@qualitywiremesh.com Web: www.qualitywiremesh.com

Small Hole Expanded Metal — Lighter, More Flexible & Durable

Small hole expanded metal is a small hole light-duty expanded metal produced by using precision punching and shearing machine through slitting and stretching. It is one of the preferred materials used in building protection and reinforcement design, filter element support and small-scale electric appliance heat dissipation applications.

With 37 years of experience in expanded metal manufacturing, we can not only supply common types of small hole expanded metal products, but also meet all your expanded metal customization requirements easily..

Features

- One-piece construction material, sturdy and durable, and edges are not easy to loose.
- Small hole effectively prevents flies, bees and other insects from entering.
- High temperature resistance and good heat dissipation capacity.
- Good sound absorption capacity.



HEBEI JIKE TRADE CO.,LTD
 ZHONGKE INDUSTRIAL PRODUCTS CO.,LTD
 ADD:BAONENG CENTER,SHIJIAZHUANG,HEBEI,CHINA 050800
 TEL/WECHAT/WHATSAPP:+86-15831931141 +86-19930751141
 Email: janeliu@qualitywiremesh.com Web: www.qualitywiremesh.com

Specification

Small Diamond Designs—Carbon Steel—Standard									
Style	Nominal Weight in lbs./100 Sq. Ft. ^A	Design Size (inches) ^B		Opening Size (inches) ^B		Strand Size (inches)		Overall Thickness (inches)	Open Area
		SWD	LWD	SWO	LWO	Width	Thickness		
3/32"-#24	56	0.140	0.240	0.084	0.135	0.040	0.024	0.083	43%
1/8"-#24	52	0.150	0.300	0.094	0.155	0.040	0.024	0.083	47%
3/16"-#24	26	0.190	0.500	0.145	0.375	0.034	0.018	0.069	64%
3/16"-#24	49	0.200	0.500	0.136	0.325	0.050	0.024	0.101	50%
3/16"-#24	72	0.210	0.500	0.131	0.308	0.060	0.031	0.122	43%
1/4"-#24	51	0.250	0.670	0.180	0.473	0.050	0.031	0.104	60%

^A A variation in weight per square ft. of $\pm 10\%$ is permissible, based on the weight of any sheet or bundle.
^B A tolerance of $\pm 10\%$ is permitted in dimensions, center to center.



HEBEI JIKE TRADE CO.,LTD
ZHONGKE INDUSTRIAL PRODUCTS CO.,LTD
ADD:BAONENG CENTER,SHIJIAZHUANG,HEBEI,CHINA 050800
TEL/WECHAT/WHATSAPP:+86-15831931141 +86-19930751141
Email: janeliu@qualitywiremesh.com Web: www.qualitywiremesh.com

Decorative Expanded Metal Comes in A Variety of Colors and Hole Patterns

Decorative expanded metal is a new building decoration material generally made of aluminum or lightweight steel plate after slitting and stretching. It comes in a variety of powder coated, anodized and PVDF finishes, and features lightweight, high load capacity, good corrosion resistance and anti-aging. It not only brings unique charm to buildings, but also offers best practical functions. So, it is an eco-friendly building decoration material popular among architectural designers.

We offer decorative expanded metal products in a variety of materials, colors and hole patterns for you to choose from. Just contact us, our professional designer will work with you and find the right expanded metal products and make out best custom solutions together.

Features

- Provide innovative, flexible building decoration materials for designers and architects.
- Uniform openings allow free passage of light and air.
- A perfect combination of functionality and aesthetics. It not only creates distinctive exterior appearance for buildings, but also achieves exterior wall protection, sunshade, partition and other practical functions.

A variety of materials, colors, patterns, finishes and textures for you to choose from.



HEBEI JIKE TRADE CO.,LTD
 ZHONGKE INDUSTRIAL PRODUCTS CO.,LTD
 ADD:BAONENG CENTER,SHIJIAZHUANG,HEBEI,CHINA 050800
 TEL/WECHAT/WHATSAPP:+86-15831931141 +86-19930751141
 Email: janeliu@qualitywiremesh.com Web: www.qualitywiremesh.com

Table 1: Specification of Diamond Aluminum Decorative Expanded Metal

Thickness (mm)	Opening Size (mm)			Panel Size (mm)		Theoretical Weight (kg/m ²)
	SWD	LWD	Strand Width	LWM	SWM	
1.5	15	25	5	300-4000	300-4000	2.7
	15	30	5			2.7
	15	40	5			2.7
2.0	32	80	10			3.3
	40	80	10			2.7
	40	80	15			4.0
	45	100	15			3.6
	45	100	17			4.0
	68	150	20			3.1
	68	150	22			3.4
	75	160	20			2.8
	75	160	22			3.1
	95	300	25			2.8
3.0	95	300	30			3.4
	32	80	10			5.0
	40	80	10	4.0		
	40	80	15	6.0		
	45	100	15	5.4		
	45	100	17	6.1		
	68	150	20	4.7		
	68	150	22	5.2		
	75	160	20	4.3		
	75	160	22	4.7		
	95	300	25	4.2		
	95	300	30	5.1		
120	350	33	4.4			
150	400	33	3.55			
150	400	40	4.3			



HEBEI JIKE TRADE CO.,LTD
 ZHONGKE INDUSTRIAL PRODUCTS CO.,LTD
 ADD:BAONENG CENTER,SHIJIAZHUANG,HEBEI,CHINA 050800
 TEL/WECHAT/WHATSAPP:+86-15831931141 +86-19930751141
 Email: janeliu@qualitywiremesh.com Web: www.qualitywiremesh.com

Table 2: Specification of Hexagonal Aluminum Decorative Expanded Metal

Thickness (mm)	Opening Size (mm)				Panel Size (mm)		Theoretical Weight (kg/m ²)
	SWD	LWD	Strand Width	Knuckle	LWM	SWM	
2.0	11	57	2	19	300-4000	300-4000	1.9
	11	57	2.5	19			2.4
	20	100	6	40			3.2
	20	100	7	40			3.7
	38	120	15	40			4.2
	38	120	16	40			4.5
	80	200	28	40			3.7
	80	200	30	40			4.0
3.0	20	100	6	40	300-4000	300-4000	4.8
	20	100	7	40			5.6
	38	120	15	40			6.3
	38	120	16	40			6.8
	80	200	28	40			5.6
	80	200	30	40			6.0



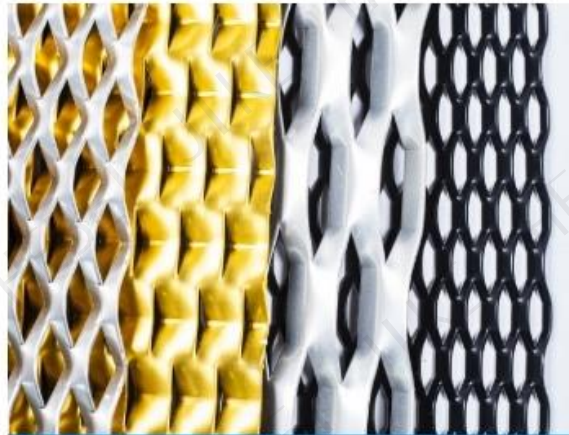
HEBEI JIKE TRADE CO.,LTD
ZHONGKE INDUSTRIAL PRODUCTS CO.,LTD
ADD:BAONENG CENTER,SHIJIAZHUANG,HEBEI,CHINA 050800
TEL/WECHAT/WHATSAPP:+86-15831931141 +86-19930751141
Email: janeliu@qualitywiremesh.com Web: www.qualitywiremesh.com

Surface Treatment



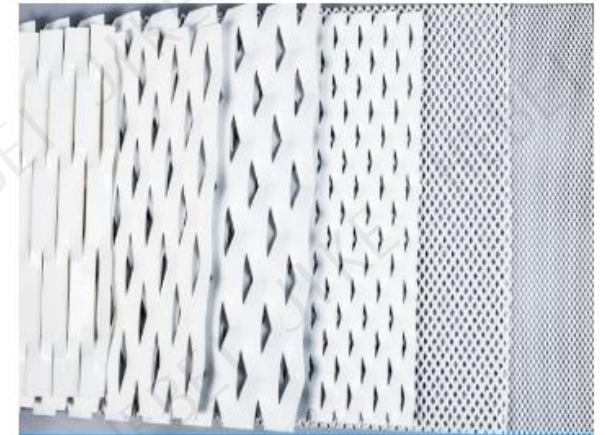
Powder Coated

We use well known brand Akzo Nobel polyester and epoxy resin powder as our powder coating materials. The powder is sprayed on the surface of the expanded metal by electrostatic spraying machine and then baked at high temperature. It usually used in combination with galvanized steel expanded metal to provide excellent service life and smooth colorful surface. It is economical and eco-friendly, and is mostly used for indoor decoration.



Anodized

Anodizing is an electrolytic oxidation process that produces an oxide coating on the surface with good protective and decorative properties. It is usually used to perform aluminum and its alloy surface treatment. Anodized expanded metal has good corrosion resistance, scratch resistance and fire resistance. In addition, colorful metallic surface has good ornamental properties, so it is one of the most widely used surface treatment methods in the field of building decoration.



PVDF Coated

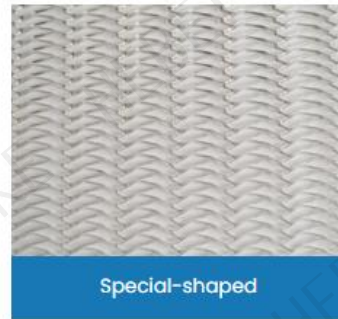
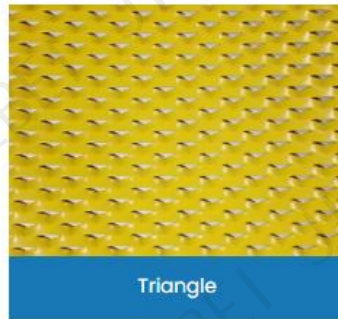
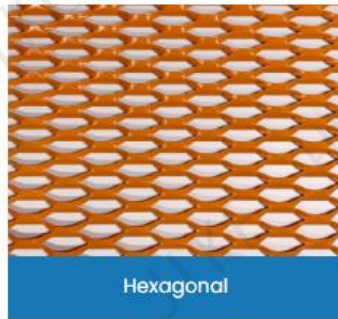
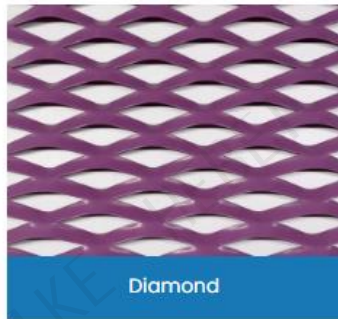
We use Akzo Nobel PVDF paint to spray on the surface of aluminum expanded metal to make it have excellent corrosion resistance, UV resistance and anti-cracking properties. PVDF coated decorative expanded metal enjoys a service life as long as 40 years. So, it generally used in hotels, shopping malls, villas and some other high-end buildings.



HEBEI JIKE TRADE CO.,LTD
ZHONGKE INDUSTRIAL PRODUCTS CO.,LTD
ADD:BAONENG CENTER,SHIJIAZHUANG,HEBEI,CHINA 050800
TEL/WECHAT/WHATSAPP:+86-15831931141 +86-19930751141
Email: janeliu@qualitywiremesh.com Web: www.qualitywiremesh.com

Popular Hole Patterns

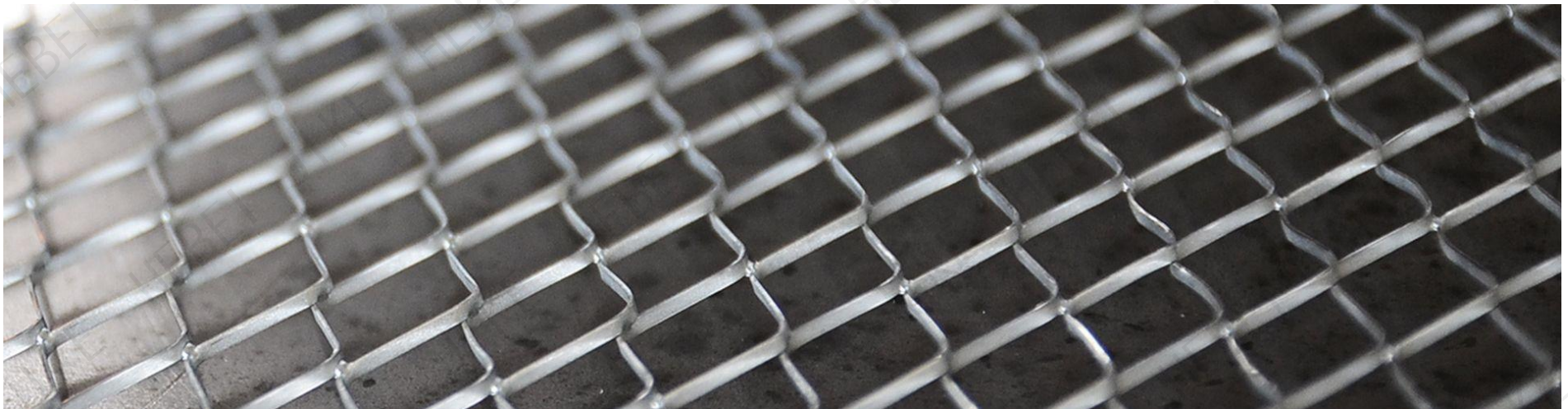
Here, we demonstrate our common decorative expanded metal hole patterns. We can also develop your exclusive decorative expanded metal products according to your design concept to meet your specific requirements.





HEBEI JIKE TRADE CO.,LTD
ZHONGKE INDUSTRIAL PRODUCTS CO.,LTD
ADD:BAONENG CENTER,SHIJIAZHUANG,HEBEI,CHINA 050800
TEL/WECHAT/WHATSAPP:+86-15831931141 +86-19930751141
Email: janeliu@qualitywiremesh.com Web: www.qualitywiremesh.com

Brick Reinforcement Expanded Metal Mesh for Masonry Reinforcement



Brick reinforcement expanded metal mesh is mainly used to reinforce the brickwork of building door and window openings, aiming to reduce the damage caused by vibration and temperature changes and avoid cracking around door and window openings, thus enhancing the overall structure of the wall.

Our brick reinforcement expanded metal mesh is made of high quality galvanized steel or stainless steel sheet that has been slit and stretched. It is supplied in coils to facilitate workers using during construction.



HEBEI JIKE TRADE CO.,LTD
ZHONGKE INDUSTRIAL PRODUCTS CO.,LTD
ADD:BAONENG CENTER,SHIJIAZHUANG,HEBEI,CHINA 050800
TEL/WECHAT/WHATSAPP:+86-15831931141 +86-19930751141
Email: janeliu@qualitywiremesh.com Web: www.qualitywiremesh.com

Features

- Raised mesh surface provides good adhesion and high tensile stress resistance for stucco and plaster, thereby stabilizing the structure between bricks.
- Effectively reduce the risk of cracking around brickwork of high stress areas, such as windows or doors.
- Hot dip galvanized surface provides excellent corrosion resistance and a long lifespan.
- Packed in coils, easy to transport and facilitate workers using during construction.





HEBEI JIKE TRADE CO.,LTD
 ZHONGKE INDUSTRIAL PRODUCTS CO.,LTD
 ADD:BAONENG CENTER,SHIJIAZHUANG,HEBEI,CHINA 050800
 TEL/WECHAT/WHATSAPP:+86-15831931141 +86-19930751141
 Email: janeliu@qualitywiremesh.com Web: www.qualitywiremesh.com

Specification

Specification of Brick Reinforcement Mesh						
Material	Thickness (mm)	Hole Pattern	Opening Size (SWD × LWD/mm)	Coil Width (mm)	Length (m)	
Galvanized steel, stainless steel	0.3-0.5	Diamond, hexagonal	15 × 25	65	20	
				115	20	
				178	20	
				225	20	
				305	20	



How to Install?

- When laying the brick reinforcement mesh, construction workers need to wear protective gloves to avoid injuries caused by sharp edges of the mesh.
- The mesh should provide a minimum 25 mm gap to external faces.
- If joining two lengths together, a minimum 75 mm overlap should be included.
- For most brick reinforcement, the mesh can be laid every three courses.



HEBEI JIKE TRADE CO.,LTD
ZHONGKE INDUSTRIAL PRODUCTS CO.,LTD
ADD:BAONENG CENTER,SHIJIAZHUANG,HEBEI,CHINA 050800
TEL/WECHAT/WHATSAPP:+86-15831931141 +86-19930751141
Email: janeliu@qualitywiremesh.com Web: www.qualitywiremesh.com

Expanded Metal for Filtration Provides Support & Protection for Filter Elements

Small hole expanded metal can not only protect and support non-woven fabrics, filter paper and other filter media, but also can act as a main filter material to remove impurities. It is an ideal choice for the filtration industry and is widely used in air filtration, process water treatment, paint filtration, grease filtration and other fields. n a variety of hole patterns, colors and sizes.

Expanded metal for filtration is generally made of [small hole expanded metal](#). It can be made into conical, pleated, cylindrical and other shapes through advanced forming process to meet the demands of various filtration applications.

Features

- **Economical & eco-friendly.** Expanded metal is constructed through slitting and stretching, no material is wasted during the production, and is a perfect alternative to perforated metal.
- **Sturdy & durable.** When the air or liquid passes through the filter elements at high working pressure, the support layer is sturdy and not easy to loose.



HEBEI JIKE TRADE CO.,LTD
 ZHONGKE INDUSTRIAL PRODUCTS CO.,LTD
 ADD:BAONENG CENTER,SHIJIAZHUANG,HEBEI,CHINA 050800
 TEL/WECHAT/WHATSAPP:+86-15831931141 +86-19930751141
 Email: janeliu@qualitywiremesh.com Web: www.qualitywiremesh.com

- **Precise filtration.** Expanded metal opening sizes can be customized according to your desired filter rating to effectively remove specified solid particles.
- **Corrosion resistance.** Hot dip galvanized expanded metal surface make it not easy to rust in acid and alkali filtration environments.

Specification

Specifications of Small Hole Expanded Metal for Filtration Applications					
Material	Opening Size		Strand		Open Area
	SWD (mm)	LWD (mm)	Strand Thickness (mm)	Strand Width (mm)	
Stainless steel, aluminum, copper, titanium	4	8	0.8	0.8	60%
	6	12	0.8	0.8	73.3%
	7	14	0.8	0.8	77.1%
	6	12	1.0	1.0	67%
	7	14	1.0	1.0	86%



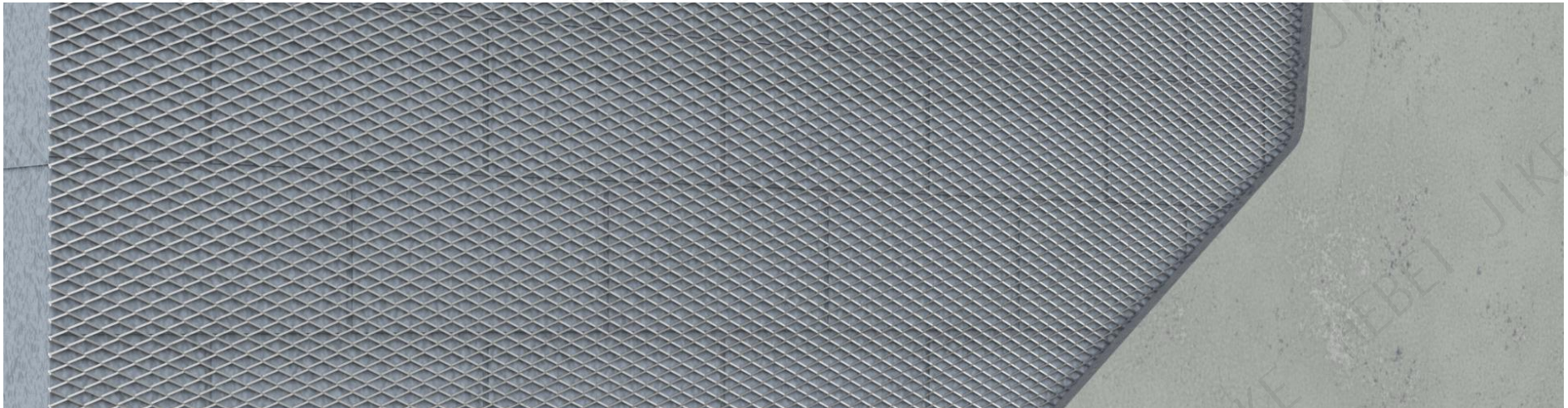


HEBEI JIKE TRADE CO.,LTD
ZHONGKE INDUSTRIAL PRODUCTS CO.,LTD
ADD:BAONENG CENTER,SHIJIAZHUANG,HEBEI,CHINA 050800
TEL/WECHAT/WHATSAPP:+86-15831931141 +86-19930751141
Email: janeliu@qualitywiremesh.com Web: www.qualitywiremesh.com

Expanded Metal Lath Reinforces the Wall Body and Prevent Wall Cracking

Expanded metal lath is often used as the base of wall plastering during construction to reinforce the building walls. Raised mesh surface enhances the adhesion of stucco and can effectively avoid wall cracking arising from concrete or plaster constriction, thus improving the quality of buildings. It is widely applied on concrete, brick, wood, plaster and other all surfaces.

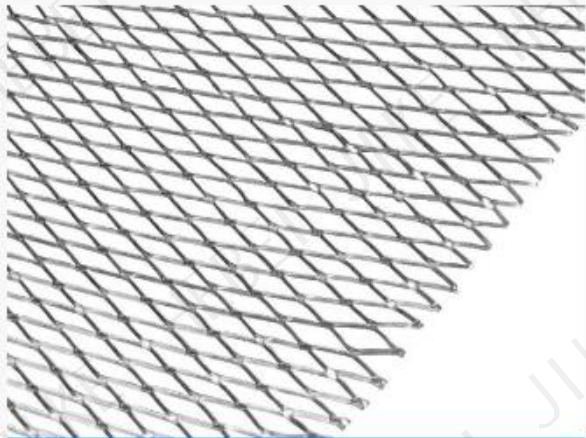
Our expanded metal lath is made of high quality galvanized steel or stainless steel materials with excellent corrosion resistance. In addition, all our materials comply with ASTM A653 and ASTM C847 standard requirements.





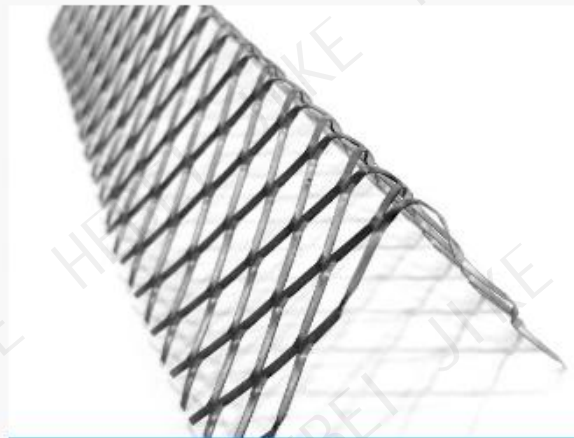
HEBEI JIKE TRADE CO.,LTD
ZHONGKE INDUSTRIAL PRODUCTS CO.,LTD
ADD:BAONENG CENTER,SHIJIAZHUANG,HEBEI,CHINA 050800
TEL/WECHAT/WHATSAPP:+86-15831931141 +86-19930751141
Email: janeliu@qualitywiremesh.com Web: www.qualitywiremesh.com

For Different Wall Part Reinforcement



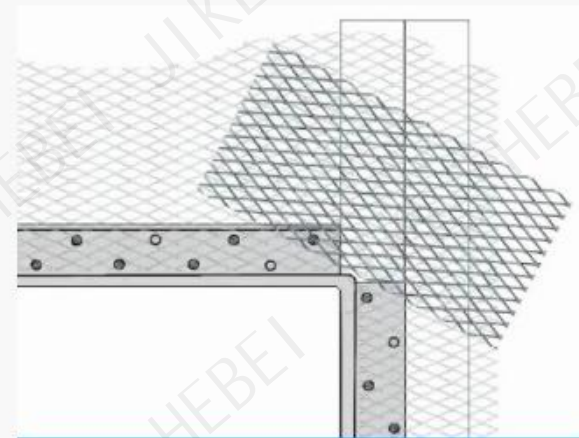
Flat diamond mesh lath

Generally made of raised expanded metal, it is mainly used as plaster base on building walls, ceilings and other large area places requiring reinforcement to prevent wall cracking and offer great impact resistance.



Corner mesh

Expanded metal is bent to an angle that suits to the wall corner. It is typically used in corners where walls meet walls or ceilings for reinforcement to prevent wall cracking.



Strip lath

It is made of flattened expanded metal that has been cut into strips. It is generally installed at the window and door corners or areas that are prone to cracking to enhance its capacity against the concentration of stress and cracking.



HEBEI JIKE TRADE CO.,LTD
ZHONGKE INDUSTRIAL PRODUCTS CO.,LTD
ADD:BAONENG CENTER,SHIJIAZHUANG,HEBEI,CHINA 050800
TEL/WECHAT/WHATSAPP:+86-15831931141 +86-19930751141
Email: janeliu@qualitywiremesh.com Web: www.qualitywiremesh.com

Specification

Specification of Expanded Metal Lath				
Material	Thickness (mm)	Opening Size (mm)		Weight (kg/m ²)
		SWD	LWD	
G60 galvanized steel	0.50	10	20	1.11
	0.70	10	20	1.61
	0.40	10	20	0.90
	0.90	9	29	2.62
	0.40	9	29	1.15
	0.50	9	29	1.92

Finish: hot dip galvanized, zinc coating is greater than 183 g/m² and complies with and exceeds ASTM A653 standard requirements.



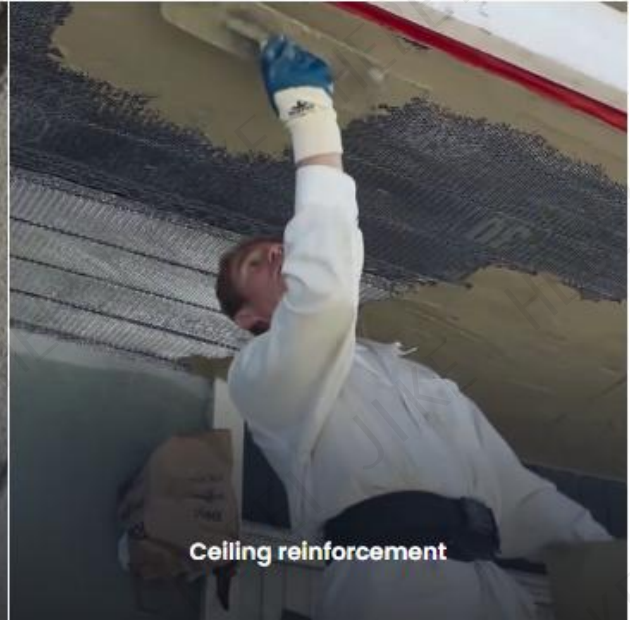
HEBEI JIKE TRADE CO.,LTD
ZHONGKE INDUSTRIAL PRODUCTS CO.,LTD
ADD:BAONENG CENTER,SHIJIAZHUANG,HEBEI,CHINA 050800
TEL/WECHAT/WHATSAPP:+86-15831931141 +86-19930751141
Email: janeliu@qualitywiremesh.com Web: www.qualitywiremesh.com



Brick wall reinforcement



Concrete wall reinforcement



Ceiling reinforcement

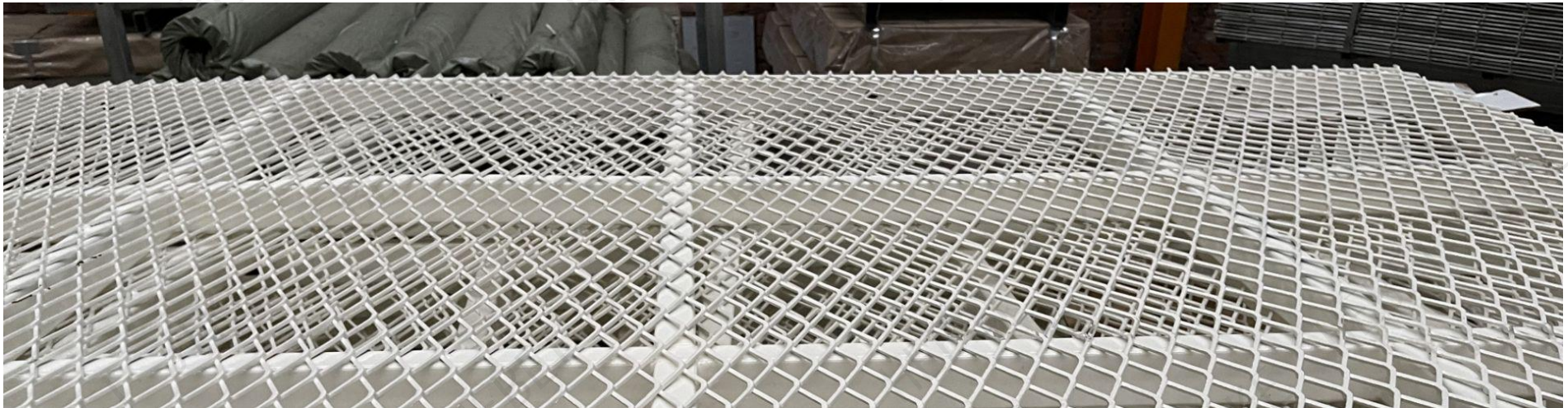


HEBEI JIKE TRADE CO.,LTD
ZHONGKE INDUSTRIAL PRODUCTS CO.,LTD
ADD:BAONENG CENTER,SHIJIAZHUANG,HEBEI,CHINA 050800
TEL/WECHAT/WHATSAPP:+86-15831931141 +86-19930751141
Email: janeliu@qualitywiremesh.com Web: www.qualitywiremesh.com

Expanded Metal Walkway Offers A Safe Passage for Construction Projects

Expanded metal walkway offers high load capacity and excellent anti-skid performance. So, it is widely used in various industries to provide a safe passage for construction, transportation, maintenance activities, for example, overpass walkway, oil and gas platform, offshore platform, solar panel construction, roof platform systems, etc.

We can supply aluminum, carbon steel, stainless steel and other expanded metal walkways. They are generally have galvanized or powdered coated treated to enhance its corrosion resistance and extend its service life.

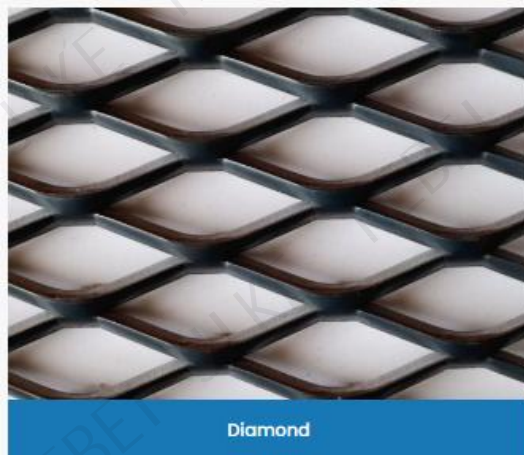




HEBEI JIKE TRADE CO.,LTD
ZHONGKE INDUSTRIAL PRODUCTS CO.,LTD
ADD:BAONENG CENTER,SHIJIAZHUANG,HEBEI,CHINA 050800
TEL/WECHAT/WHATSAPP:+86-15831931141 +86-19930751141
Email: janeliu@qualitywiremesh.com Web: www.qualitywiremesh.com

Features

- **Excellent anti-skid performance.** Raised mesh surface enhances the friction between underfoot and walkway contact area to prevent pedestrians from slipping and ensure walking security.
- **High load capacity.** Made of 3 mm – 8 mm thick steel plates that are thicker than standard expanded metal, no welding joint. Besides, large strand width and opening size also deliver higher load capacity.
- **Corrosion resistance.** Galvanized or powder coated surface makes it have excellent resistant to acids and bases.
- **Easy maintenance.** Opening design makes the dirt, rain and snow fall off smoothly, reduce the frequency of cleaning and maintenance.

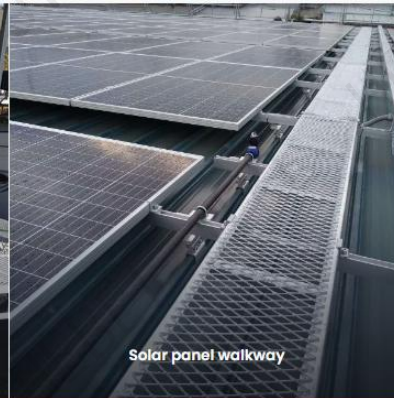




HEBEI JIKE TRADE CO.,LTD
 ZHONGKE INDUSTRIAL PRODUCTS CO.,LTD
 ADD:BAONENG CENTER,SHIJIAZHUANG,HEBEI,CHINA 050800
 TEL/WECHAT/WHATSAPP:+86-15831931141 +86-19930751141
 Email: janeliu@qualitywiremesh.com Web: www.qualitywiremesh.com

Specification

Specification of Expanded Metal Walkways					
Material	Opening Size (mm)		Strand (mm)		Weight (kg/m ²)
	SWD	LWD	Thickness	Strand Width	
Carbon steel, galvanized steel, aluminum	30	75	3.0	7.0	10.70
	34	76	4.0	5.0	8.80
	30	75	5.0	7.5	23.00
	42	135	5.0	8.0	14.05
	30	75	5.0	10.5	27.00
	45	135	5.0	11.0	19.00





HEBEI JIKE TRADE CO.,LTD
ZHONGKE INDUSTRIAL PRODUCTS CO.,LTD
ADD:BAONENG CENTER,SHIJIAZHUANG,HEBEI,CHINA 050800
TEL/WECHAT/WHATSAPP:+86-15831931141 +86-19930751141
Email: janeliu@qualitywiremesh.com Web: www.qualitywiremesh.com

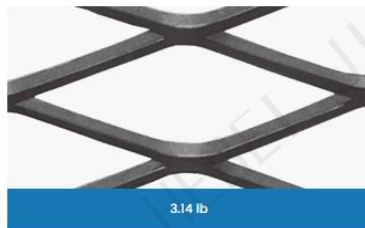
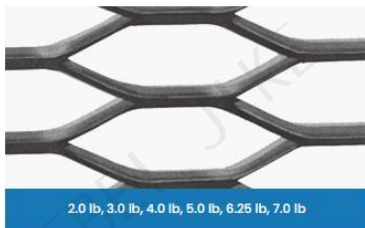
Expanded Metal Stair Treads Provide Safe Footstep for Pedestrians

Expanded metal stair treads have excellent anti-skid performance and high load capacity, and are very suitable for moving stairs, stationary stairs and spiral stairs in project construction. We can provide expanded metal stair treads perfect match up with your application environments to provide safety protection for your construction workers.

[Contact us](#), we can provide you with professional, custom stair tread solutions.

Features

- Excellent anti-skid performance makes pedestrians free from falling risks arising from slipping.
- Rigid structure offers high load capacity and strong, stable support.
- Diamond openings help snow, water, grease and fluid to drain out.
- Unique surface structure can effectively avoid dazzling feeling when people looking down from a high place.





HEBEI JIKE TRADE CO.,LTD
 ZHONGKE INDUSTRIAL PRODUCTS CO.,LTD
 ADD:BAONENG CENTER,SHIJIAZHUANG,HEBEI,CHINA 050800
 TEL/WECHAT/WHATSAPP:+86-15831931141 +86-19930751141
 Email: janeliu@qualitywiremesh.com Web: www.qualitywiremesh.com

Table 1: Carbon Steel Expanded Metal Stair Treads

Material	Weight (lbs./ft ²)	Opening Size (Inch)		Strand (Inch)		Open Area
		SWD	LWD	Width	Thickness	
Carbon steel	2.00	1.33	5.33	0.24	0.14	77%
	3.00	1.33	5.33	0.26	0.18	60%
	3.14	2.00	6.00	0.31	0.25	69%
	4.00	1.33	5.33	0.30	0.22	55%
	4.27	1.41	4.00	0.30	0.25	58%
	5.00	1.33	5.33	0.33	0.25	50%
	6.25	1.41	5.33	0.35	0.31	50%
	7.00	1.41	5.33	0.39	0.32	45%

Table 2: Stainless Steel Expanded Metal Stair Treads

Material	Weight (lbs./ft ²)	Opening Size (Inch)		Strand (Inch)		Open Area
		SWD	LWD	Width	Thickness	
Stainless steel	3.32	2.00	6.00	0.31	0.25	69%
	4.25	1.41	4.00	0.30	0.25	58%

Table 3: Aluminum Expanded Metal Stair Treads

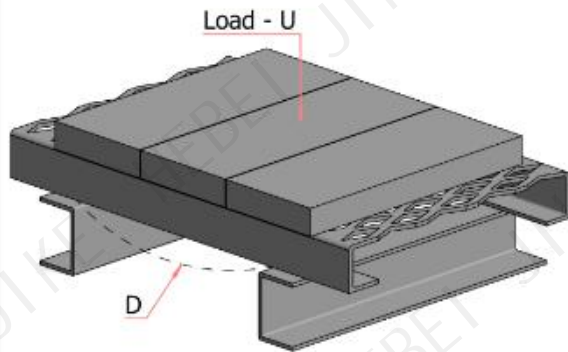
Material	Weight (lbs./ft ²)	Opening Size (Inch)		Strand (Inch)		Open Area
		SWD	LWD	Width	Thickness	
Aluminum	2.00	1.33	5.33	0.39	0.25	48%



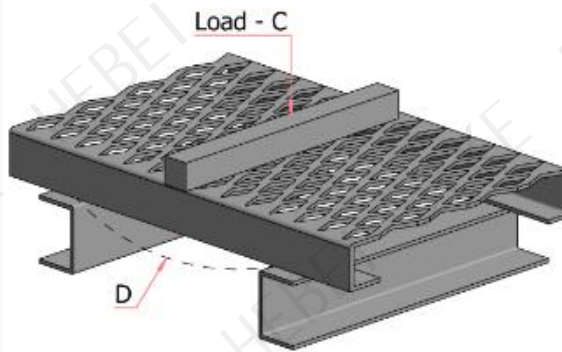
HEBEI JIKE TRADE CO.,LTD
ZHONGKE INDUSTRIAL PRODUCTS CO.,LTD
ADD:BAONENG CENTER,SHIJIAZHUANG,HEBEI,CHINA 050800
TEL/WECHAT/WHATSAPP:+86-15831931141 +86-19930751141
Email: janeliu@qualitywiremesh.com Web: www.qualitywiremesh.com

Load Capacity Diagram

The load capacity of expanded metal stair treads is mainly reflected in 2 aspects of transverse uniform load and concentrated load. Our expanded metal stair treads comply with EMMA 557-15 standard requirements.



Uniform load and deflection diagram



Concentrated load and deflection diagram



HEBEI JIKE TRADE CO.,LTD
 ZHONGKE INDUSTRIAL PRODUCTS CO.,LTD
 ADD:BAONENG CENTER,SHIJIAZHUANG,HEBEI,CHINA 050800
 TEL/WECHAT/WHATSAPP:+86-15831931141 +86-19930751141
 Email: janeliu@qualitywiremesh.com Web: www.qualitywiremesh.com

Table 4: Carbon Steel Expanded Metal Stair Tread Concentrated Load & Deflection Table

Style (lbs./ft ²)	Concentrated Load C (lb./ft.) & Deflection D (in.)	24-Inch Span	36-Inch Span
3.0#	C	274	126
	D	0.25	0.25
3.14#	C	340	117
	D	0.25	0.25
4.0#	C	468	201
	D	0.25	0.25
4.27#	C	419	196
	D	0.25	0.25

Notes
 The allowable tolerance for weight per square foot is ±5%.
 Both ends of the tested expanded metal stair tread have been welded to a fixed metal frame.

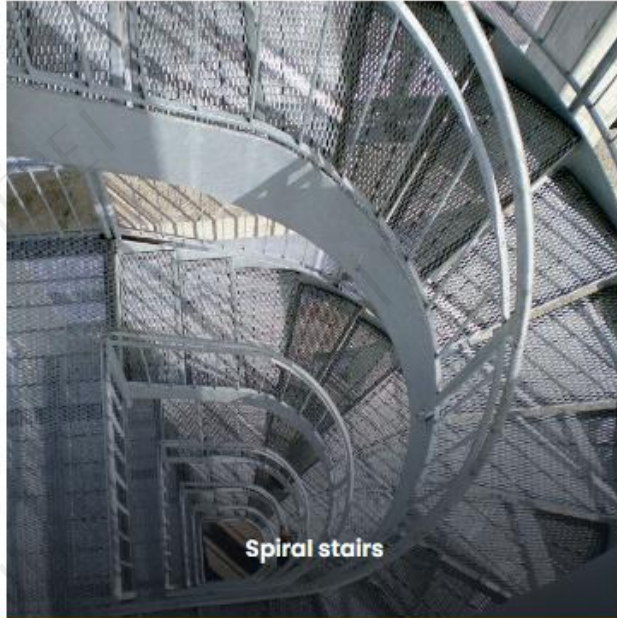
Table 5: Aluminum Expanded Metal Stair Tread Concentrated Load & Deflection Table

Style (lbs./ft ²)	Concentrated Load C (lb./ft.) & Deflection D (in.)	24-Inch Span	36-Inch Span
2.0#	C	320	136
	D	0.25	0.25

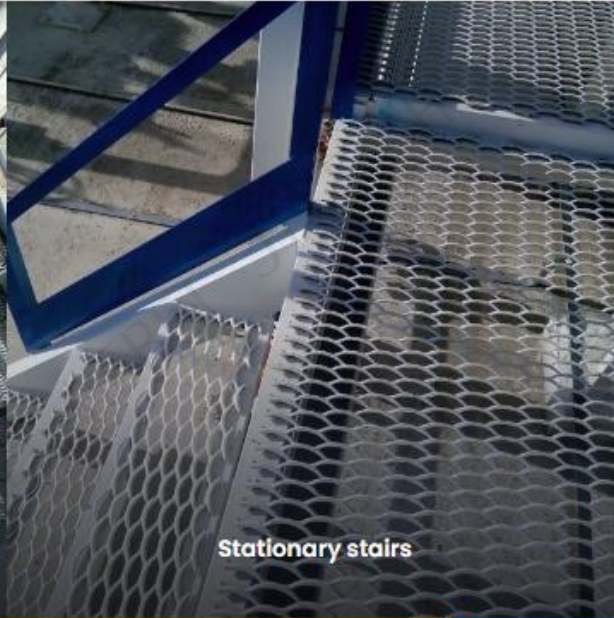
Notes
 The allowable tolerance for weight per square foot is ±5%.
 Both ends of the tested expanded metal stair tread have been welded to a fixed metal frame.



HEBEI JIKE TRADE CO.,LTD
ZHONGKE INDUSTRIAL PRODUCTS CO.,LTD
ADD:BAONENG CENTER,SHIJIAZHUANG,HEBEI,CHINA 050800
TEL/WECHAT/WHATSAPP:+86-15831931141 +86-19930751141
Email: janeliu@qualitywiremesh.com Web: www.qualitywiremesh.com



Spiral stairs



Stationary stairs



Industrial platform stairs